

Zico

Zi-6880

Operating Instruction for Heavy Duty Industrial True RMS Autoranging Digital Multimeter with VFD Measurement



Please read this manual before switching the unit on.
Important safety information inside

www.zicotech.com

Content	Page
1.Introduction.....	4
2.Safety.....	4
2-1.Safety Symbols.....	4
2-2.Per IEC1010 Overvoltage Installation Category.....	5
2-3.Safety Instructions.....	5
3.Description.....	7
3-1.Meter Description.....	7
3-2.Symbols Used on LCD Display.....	8
4.Operating Instructions.....	9
4-1.DC Voltage Measurements	9
4-2.AC Voltage (Frequency, Duty Cycle) Measurements.....	10
4-3.mV Voltage Measurements.....	11
4-4.DC Current Measurements.....	12
4-5.AC Current (Frequency, Duty Cycle) Measurements.....	13
4-6.Resistance Measurements.....	14
4-7.Continuity Check.....	15
4-8.Diode Test.....	16
4-9.Capacitance Measurements.....	17
4-10.Temperature Measurements.....	18
4-11.Frequency/Duty Cycle Measurements (Electronic).....	19
4-12.Autoranging/Manual Range Selection.....	19
4-13.MAX/MIN Mode.....	20
4-14.Relative Mode.....	20
4-15.Display Backlight.....	20
4-16.HOLD Mode.....	21
4-17.Auto Power Off.....	21
4-18.Low Battery Indication.....	21
5.Maintenance.....	21
5-1.Battery Installation.....	22
5-2.Replacing the Fuses.....	22
6.Specifications.....	23
6-1.Specifications.....	23
6-2.General Specifications.....	26

1. Introduction

- This meter measures AC/DC Voltage, AC/DC Current, Resistance, Frequency (electrical & electronic), Diode Test, and Continuity.
- It features a waterproof, rugged design for heavy duty use.
- Proper use and care of this meter will provide many years of reliable service.

2. Safety

2-1. Safety Symbols



This symbol adjacent to another symbol, terminal or operating device indicates that the operator must refer to an explanation in the operating instructions to avoid personal injury or damage to the meter.



This WARNING symbol indicates a potentially hazardous situation, which if not avoided, could result in death or serious injury.



This CAUTION symbol indicates a potentially hazardous situation, which if not avoided, may result damage to the product.



This symbol advises the user that the terminal(s) so marked must not be connected to a circuit point at which the voltage with respect to earth ground exceeds (in this case) 1000 VAC or VDC.



This symbol adjacent to one or more terminals identifies them as being associated with ranges that may, in normal use, be subjected to particularly hazardous voltages. For maximum safety, the meter and its test leads should not be handled when these terminals are energized.



This symbol indicates that a device is protected throughout by double insulation or reinforced insulation.

2-2. Per IEC1010 Overvoltage Installation Category

Overvoltage Category I

Equipment of **Overvoltage Category I** is equipment for connection to circuits in which measures are taken to limit the transient overvoltages to an appropriate low level.

Note: Examples include protected electronic circuits.

Overvoltage Category II

Equipment of **Overvoltage Category II** is energy-consuming equipment to be supplied from the fixed installation.

Note: Examples include household, office, and laboratory appliances.

Overvoltage Category III

Equipment of **Overvoltage Category III** is equipment in fixed installations.

Note: Examples include switches in the fixed installation and some equipment for industrial use with permanent connection to the fixed installation.

Overvoltage Category IV

Equipment of **Overvoltage Category IV** is for use at the origin of the installation.

Note: Examples include electricity meters and primary over-current protection equipment.

2-3. Safety Instructions

- This meter has been designed for safe use, but must be operated with caution.
- The rules listed below must be carefully followed for safe operation.

2-3-1. NEVER apply voltage or current to the meter that exceeds the specified maximum:

Input Protection Limits

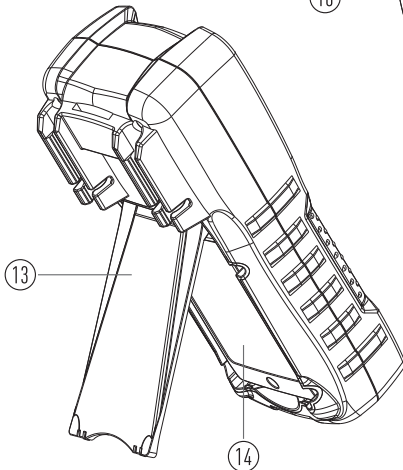
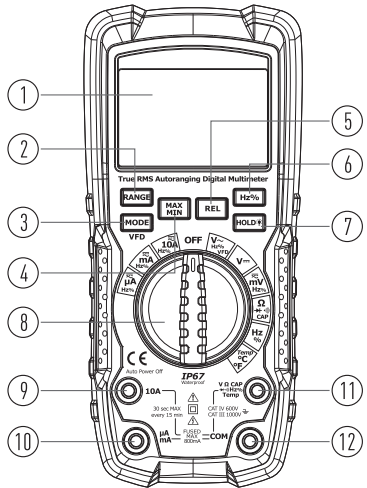
Function	Maximum Input
V DC	1000VDC RMS
V AC	1000VAC RMS
mA AC/DC	800mA 1000V fast acting fuse
A AC/DC	10A 1000V fast acting fuse (30 seconds max every 15 minutes)
Frequency, Resistance, CAP, Diode Test, Continuity	250VDC/AC RMS
Surge Protection:	8kV peak per IEC 61010

- 2-3-2.** USE EXTREME CAUTION when working with high voltages.
- 2-3-3.** DO NOT measure voltage if the voltage on the "COM" input jack exceeds 1000V above earth ground.
- 2-3-4.** NEVER connect the meter leads across a voltage source while the function switch is in the current, resistance, CAP, or diode mode. Doing so can damage the meter.
- 2-3-5.** ALWAYS discharge filter capacitors in power supplies and disconnect the power when making resistance or diode tests.
- 2-3-6.** ALWAYS turn off the power and disconnect the test leads before opening the covers to replace the fuse or batteries.
- 2-3-7.** NEVER operate the meter unless the back cover and the battery and fuse covers are in place and fastened securely.
- 2-3-8.** If the equipment is used in a manner not specified by the manufacturer, the protection provided by the equipment may be impaired.

3. Description

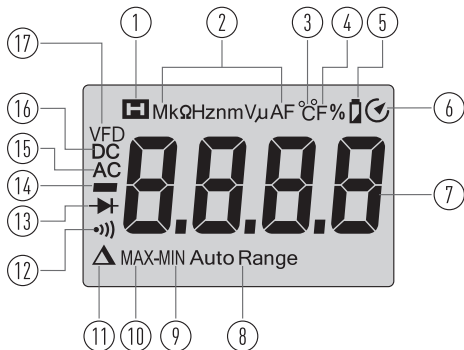
3-1. Meter Description

- 1-6,000 Counts LCD Display
- 2-RANGE Button
- 3-Mode Button
- 4-MAX/MIN Button
- 5-RELATIVE Button
- 6-Hz and % Button
- 7-HOLD and Backlight Button
- 8-Function Switch
- 9-10A Input Jacks
- 10- μ A mA Input Jacks
- 11-Positive Input Jacks
- 12-COM Input Jacks
- 13-Tilt Stand
- 14-Battery Cover



3-2.Symbols Used on LCD Display

- 1-Display Hold
- 2-Units of Measure List
- 3-Degrees Centigrade
- 4-Degrees Fahrenheit
- 5-Battery Status
- 6-Auto Power Off
- 7-Measurement Reading
- 8-Autoranging
- 9-Minimum
- 10-Maximum
- 11-Relative
- 12-Continuity
- 13-Diode Test
- 14-Minus Sign
- 15-Alternating Current
- 16-Direct Current
- 17-Frequency Conversion Measure



4. Operating Instructions

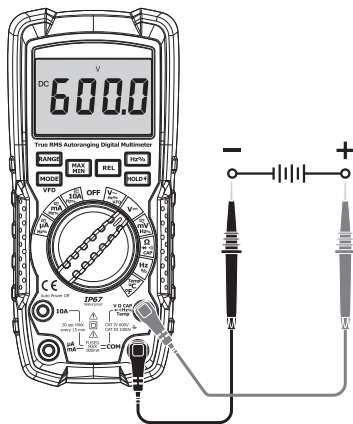
WARNING: Risk of electrocution. High-voltage circuits, both AC and DC, are very dangerous and should be measured with great care.

- ALWAYS turn the function switch to the OFF position when the meter is not in use.
- If "OL" appears in the display during a measurement, the value exceeds the range you have selected. Change to a higher range.

4-1. DC Voltage Measurements

CAUTION: Do not measure DC voltages if a motor on the circuit is being switched ON or OFF. Large voltage surges may occur that can damage the meter.

1. Set the function switch to the **VDC** position.
2. Insert the black test lead banana plug into the negative **COM** jack; Insert the red test lead banana plug into the positive **V** jack.
3. Touch the black test probe tip to the negative side of the circuit; Touch the red test probe tip to the positive side of the circuit.
4. Read the voltage in the display.

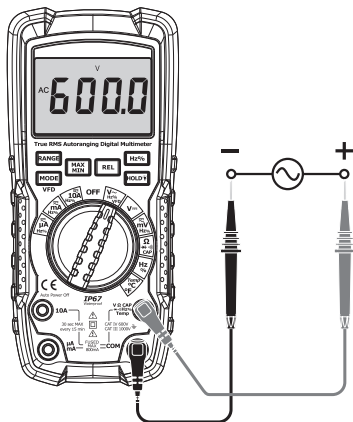


4-2.AC Voltage (Frequency, Duty Cycle) Measurements

WARNING: Risk of Electrocution. The probe tips may not be long enough to contact the live parts inside some 240V outlets for appliances because the contacts are recessed deep in the outlets. As a result, the reading may show 0 volts when the outlet actually has voltage on it. Make sure the probe tips are touching the metal contacts inside the outlet before assuming that no voltage is present.

CAUTION: Do not measure AC voltages if a motor on the circuit is being switched ON or OFF. Large voltage surges may occur that can damage the meter.

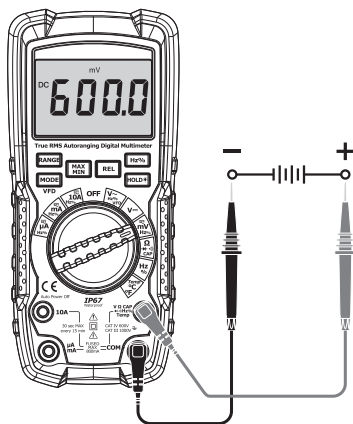
1. Set the function switch to the **VAC** position. Indicate “**AC**” on the display.
2. Insert the black test lead banana plug into the negative **COM** jack; Insert red test lead banana plug into the positive **V** jack.
3. Touch the black test probe tip to the neutral side of the circuit; Touch the red test probe tip to the “hot” side of the circuit.
4. Read the voltage in the display.
5. Press and hold the **MODE** button key for 2 seconds to indicate “**VFD**” on the display.
6. Read the VFD value in the display.
7. To exit VFD mode press and hold the **MODE** button for 2 seconds.
8. Press the **Hz/%** button to indicate “**Hz**”.
9. Read the frequency in the display.
10. Press the **Hz/%** button again to indicate “**%**”.
11. Read the % of duty cycle in the display.



4-3.mV Voltage Measurements

CAUTION: Do not measure mV voltages if a motor on the circuit is being switched ON or OFF. Large voltage surges may occur that can damage the meter.

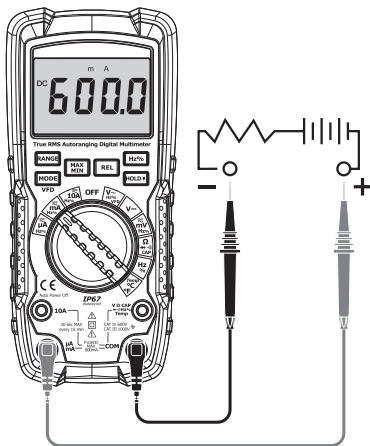
1. Set the function switch to the **mV AC/DC** position.
2. Press the **MODE** button to indicate “**DC**” or “**AC**”.
3. Insert the black test lead banana plug into the negative **COM** jack; Insert the red test lead banana plug into the positive **V** jack.
4. Touch the black test probe tip to the negative side of the circuit; Touch the red test probe tip to the positive side of the circuit.
5. Read the mV voltage in the display.
6. Press the **HZ/%** button to indicate “**Hz**”.
7. Read the frequency in the display.
8. Press the **HZ/%** button again to indicate “**%**”.
9. Read the % of duty cycle in the display.



4-4. DC Current Measurements

CAUTION: Do not make 10A current measurements for longer than 30 seconds. Exceeding 30 seconds may cause damage to the meter and/or the test leads.

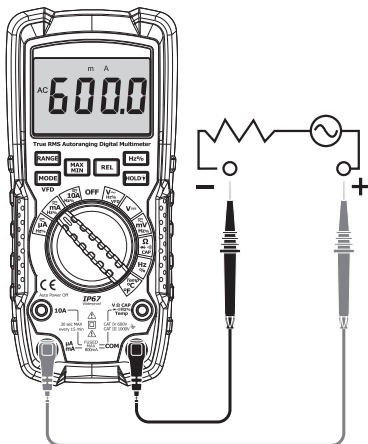
1. Insert the black test lead banana plug into the negative **COM** jack.
2. For current measurements up to **6000 μ A DC**, set the function switch to the **μ A AC/DC** position and insert the red test lead banana plug into the **μ A/mA** jack.
3. For current measurements up to **600mA DC**, set the function switch to the **mA AC/DC** position and insert the red test lead banana plug into the **μ A/mA** jack.
4. For current measurements up to **10A DC**, set the function switch to the **10A AC/DC** position and insert the red test lead banana plug into the **10A** jack.
5. Press the **MODE** button to indicate "**DC**" on the display.
6. Remove power from the circuit under test, then open up the circuit at the point where you wish to measure current.
7. Touch the black test probe tip to the negative side of the circuit; Touch the red test probe tip to the positive side of the circuit.
8. Apply power to the circuit.
9. Read the current in the display.



4-5.AC Current (Frequency, Duty Cycle) Measurements

CAUTION: Do not make 10A current measurements for longer than 30 seconds. Exceeding 30 seconds may cause damage to the meter and/or the test leads.

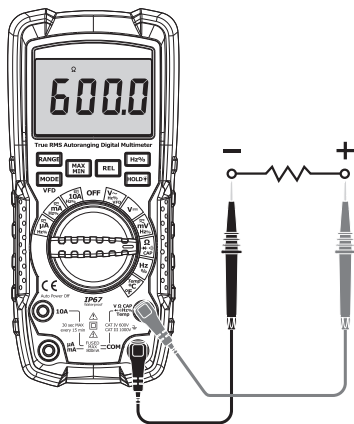
1. Insert the black test lead banana plug into the negative **COM** jack.
2. For current measurements up to **6000 μ A AC**, set the function switch to the **μ A AC/DC** position and insert the red test lead banana plug into the **μ A/mA** jack.
3. For current measurements up to **600mA AC**, set the function switch to the **mA AC/DC** position and insert the red test lead banana plug into the **μ A/mA** jack.
4. For current measurements up to **10A AC**, set the function switch to the **10A AC/DC** position and insert the red test lead banana plug into the **10A** jack.
5. Press the **MODE** button to indicate "**AC**" on the display.
6. Remove power from the circuit under test, then open up the circuit at the point where you wish to measure current.
7. Touch the black test probe tip to the neutral side of the circuit; Touch the red test probe tip to the "hot" side of the circuit.
8. Apply power to the circuit.
9. Read the current in the display.
10. Press the **Hz/%** button to indicate "**Hz**".
11. Read the frequency in the display.
12. Press the **Hz/%** button again to indicate "**%**".
13. Read the % duty cycle in the display.
14. Press the **Hz/%** button to return to current measurement.



4-6. Resistance Measurements

WARNING: To avoid electric shock, disconnect power to the unit under test and discharge all capacitors before taking any resistance measurements. Remove the batteries and unplug the line cords.

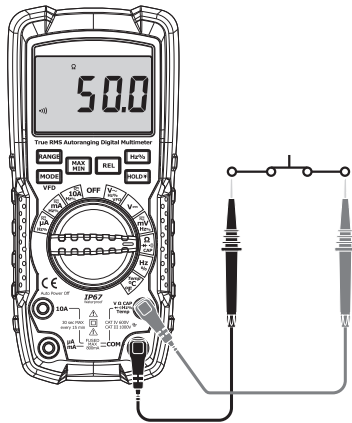
1. Set the function switch to the Ω \rightarrow CAP position.
2. Insert the black test lead banana plug into the negative **COM** jack; Insert the red test lead banana plug into the positive Ω jack.
3. Press the **MODE** button to indicate Ω on the Display.
4. Touch the test probe tips across the circuit or part under test. It is best to disconnect one side of the part under test so the rest of the circuit will not Interfere with the resistance reading.
5. Read the resistance in the display.



4-7.Continuity Check

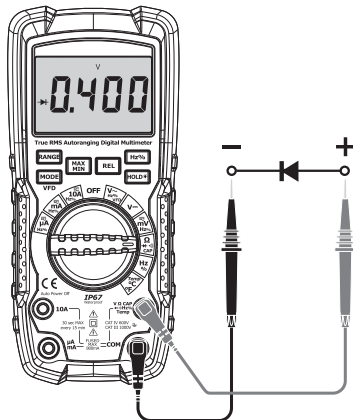
WARNING: To avoid electric shock, never measure continuity on circuits or wires that have voltage on them.

- 1.Set the function switch to the Ω \rightarrow CAP position.
- 2.Insert the black lead banana plug into the negative **COM** jack; Insert the red test lead banana plug into the positive Ω jack.
- 3.Press the **MODE** button to indicate “ \rightarrow ” and “ Ω ” on the display
- 4.Touch the test probe tips to the circuit or wire you wish to check.
- 5.If the resistance is less than approximately $50\ \Omega$, the audible signal will sound. If the circuit is open, the display will indicate “OL”.



4-8. Diode Test

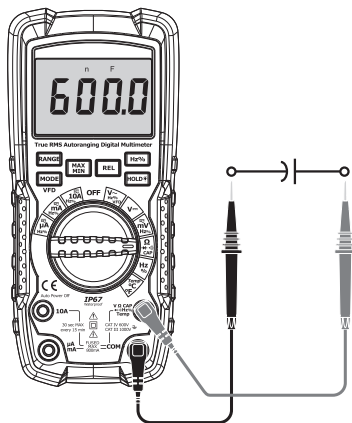
1. Set the function switch to the Ω \rightarrow CAP position.
2. Insert the black test lead banana plug into the negative **COM** jack and the red test lead banana plug into the positive Ω jack.
3. Press the **MODE** button to indicate \rightarrow and V on the display.
4. Touch the test probes to the diode under test. Forward voltage will typically indicate 0.400 to 0.700V. Reverse voltage will indicate "OL". Shorted devices will indicate near 0V and an open device will indicate "OL" in both polarities.



4-9. Capacitance Measurements

WARNING: To avoid electric shock, disconnect power to the unit under test and discharge all capacitors before taking any capacitance measurements. Remove the batteries and unplug the line cords.

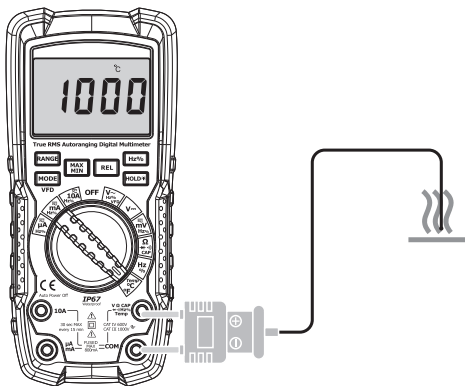
1. Set the rotary function switch to the Ω \rightarrow CAP position.
2. Insert the black test lead banana plug into the negative **COM** jack; Insert the red test lead banana plug into the positive **V** jack.
3. Press the **MODE** button to indicate "nF" on the display.
4. Touch the test leads to the capacitor to be tested.
5. The test may take up to 3 minutes or more for large capacitors to charge. Wait until the readings settle before ending the test.
6. Read the capacitance value in the display.



4-10. Temperature Measurements

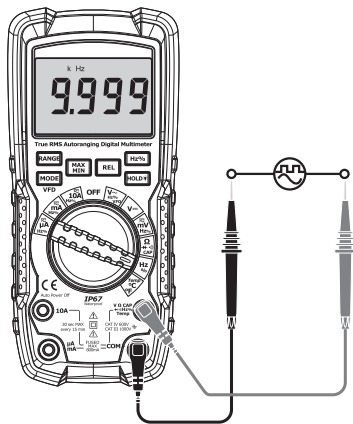
1. Set the function switch to the **Temp** position.
2. Insert the Temperature Probe into the input jacks, making sure to observe the correct polarity.
3. Press the **MODE** button to indicate **°C** or **°F**
4. Touch the Temperature Probe head to the part whose temperature you wish to measure. Keep the probe touching the part under test until the reading stabilizes (about 30 seconds).
5. Read the temperature in the display.

Note: The temperature probe is fitted with a type K mini connector. A mini connector to banana connector adaptor is supplied for connection to the input banana jacks.



4-11. Frequency/Duty Cycle Measurements (Electronic)

1. Set the rotary function switch to the "Hz/%" position.
2. Press the **Hz/%** button to indicate "Hz" in the display.
3. Insert the black lead banana plug into the negative **COM** jack and the red test lead banana plug into the positive **Hz** jack.
4. Touch the test probe tips to the circuit under test.
5. Read the frequency on the display.
6. Press the **Hz/%** button again to indicate "%" on the display.
7. Read the % of duty cycle on the display.



4-12. Autoranging/Manual Range Selection

- When the meter is first turned on, it automatically goes into Autoranging.
- This automatically selects the best range for the measurements being made and is generally the best mode for most measurements.
- For measurement situations requiring that a range be manually selected, perform the following:
 1. Press the **RANGE** key. The "AUTO" display indicator will turn off.
 2. Press the **RANGE** key to step through the available ranges until you select the range you want.

3. To exit the Manual Ranging mode and return to Autoranging, press and hold the RANGE key for 2 seconds.

Note: Manual ranging does not apply for the Frequency functions.

4-13. MAX/MIN Mode

Note: When using the MAX/MIN function in Autoranging mode, the meter will “lock” into the range that is displayed on the LCD when MAX/MIN is activated. If a MAX/Min reading exceeds that range, an “OL” will be displayed. Select the desired range BEFORE entering MAX/MIN mode.

1. Press the **MAX/MIN** key to activate the **MAX/MIN** recording mode. The display icon “MAX” will appear. The meter will display and hold the maximum reading and will update only when a new “max” occurs.

2. Press the **MAX/MIN** key again and the display icon “MIN” will appear. The meter will display and hold the minimum reading and will update only when a new “min” occurs.

3. To exit MAX/MIN mode press and hold the **MAX/MIN** key for 2 seconds.

4-14. Relative Mode

- The relative measurement feature allows you to make measurements relative to a stored reference value.

- A reference voltage, current, etc. can be stored and measurements made in comparison to that value.

- The displayed value is the difference between the reference value and the measured value.

1. Perform the measurement as described in the operating instructions.

2. Press the **REL** button to store the reading in the display and the “REL” indicator will appear on the display.

3. The display will now indicate the difference between the stored value and the measured value.

4. Press the **REL** button to exit the relative mode.

Note: The Relative function does not operate in the Frequency function.

4-15. Display Backlight

- Press and hold the **HOLD** key for >1 second to turn on or off the display backlight function.

- The backlight will automatically turn off after 5 minutes.


4-16. HOLD Mode

- The hold function freezes the reading in the display.
- Press the **HOLD** key momentarily to activate or to exit the HOLD function.

4-17. Auto Power Off

- The auto off feature will turn the meter off after 15 minutes.
- To disable the auto power off feature, hold down the **MODE** button and turn the meter on.

4-18. Low Battery Indication

- The  icon will appear in the display when the battery voltage becomes low.
- Replace the battery when this appears.

5. Maintenance

WARNING: To avoid electric shock, disconnect the test leads from any source of voltage before removing the back cover or the battery or fuse covers.

WARNING: To avoid electric shock, do not operate your meter until the battery and fuse covers are in place and fastened securely.

- This MultiMeter is designed to provide years of dependable service, if the following care instructions are performed:
 1. Keep the meter dry, if it gets wet, wipe it off.
 2. Use and store the meter in normal temperatures, temperature extremes can shorten the life of the electronic parts and distort or melt plastic parts.
 3. Handle the meter gently and carefully, dropping it can damage the electronic parts or the case.
 4. Keep the meter clean, wipe the case occasionally with a damp cloth, do not use chemicals, cleaning solvents or detergents.
 5. Use only fresh batteries of the recommended size and type, remove old or weak batteries so they do not leak and damage the unit.
 6. If the meter is to be stored for a long period of time, the batteries should be removed to prevent damage to the unit.

5-1. Battery Installation

WARNING: To avoid electric shock, disconnect the test leads from any source of voltage before removing the battery cover.

1. Turn power off and disconnect the test leads from the meter.
2. Open the rear battery cover by removing the screw using a Phillips head screwdriver.
3. Insert the battery into battery holder, observing the correct polarity.
4. Put the battery cover back in place. Secure with the screw.

WARNING: To avoid electric shock, do not operate the meter until the battery cover is in place and fastened securely.

NOTE: If your meter does not work properly, check the fuses and batteries to make sure that they are still good and that they are properly inserted.

5-2. Replacing the Fuses

WARNING: To avoid electric shock, disconnect the test leads from any source of voltage before removing the fuse cover.

1. Disconnect the test leads from the meter.
2. Remove the battery cover.
3. Gently remove the old fuse and install the new fuse into the holder.
4. Always use a fuse of the proper size and value (800mA/1000V fast blow for the 600mA range, 10A/1000V fast blow for the 10A range).
5. Replace and secure the rear cover, battery and battery cover.

WARNING: To avoid electric shock, do not operate your meter until the fuse cover is in place and fastened securely.

6. Specifications

6-1. Specifications

Function	Range	Resolution	Accuracy
DC Voltage	60.00mV	0.01mV	±(0.9% + 9 digits)
	600.0mV	0.1mV	
	6.000V	0.001V	±(0.5% + 5 digits)
	60.00V	0.01V	
	600.0V	0.1V	±(0.6% + 6 digits)
	1000V	1V	

AC Voltage 45Hz to 1KHz	60.00mV	0.01mV	±(0.9% + 9 digits)
	600.0mV	0.1mV	±(0.8% + 3 digits)
	6.000V	0.001V	
	60.00V	0.01V	
	600.0V	0.1V	
	1000V	1V	±(0.8% + 8 digits)

All AC voltage ranges are specified from 5% of range to 100% of range.

AC voltage bandwidth: 45Hz to 1KHz(Sine); 50/60Hz(All wave).

VFD	50.0 to 700V	0.1V/1V	±(4% + 3 digits)
-----	--------------	---------	------------------

DC Current	600.0μA	0.1μA	±(1.0% + 3 digits)
	6000μA	1μA	
	60.00mA	0.01mA	
	600.0mA	0.1mA	
	6.000A	0.001A	±(1.5% + 3 digits)
	10.00A	0.01A	

(10A: 30 sec max with reduced accuracy)

Function	Range	Resolution	Accuracy
AC Current 45Hz to 1kHz	600.0 μ A	0.1 μ A	$\pm(1.5\% + 3 \text{ digits})$
	6000 μ A	1 μ A	
	60.00mA	0.01mA	
	600.0mA	0.1mA	$\pm(2.0\% + 3 \text{ digits})$
	6.000A	0.001A	
	10.00A	0.01A	

10A: 30 sec max with reduced accuracy.

All AC Current ranges are specified from 5% of range to 100% of range.

AC Current bandwidth:45Hz to1KHz(Sine); 50/60Hz(All wave).

Resistance	600.0 Ω	0.1 Ω	$\pm(1.0\% + 2 \text{ digits})$
	6.000k Ω	0.001k Ω	$\pm(0.8\% + 2 \text{ digits})$
	60.00k Ω	0.01k Ω	
	600.0k Ω	0.1k Ω	
	6.000M Ω	0.001M Ω	$\pm(1.2\% + 2 \text{ digits})$
	60.00M Ω	0.01M Ω	$\pm(1.0\% + 5 \text{ digits})$

Capacitance	99.99nF*	0.01nF	$\pm(5.0\% + 20 \text{ digits})$
	999.9nF	0.1nF	$\pm(4.0\% + 5 \text{ digits})$
	9.999 μ F	0.001 μ F	
	99.99 μ F	0.01 μ F	
	999.9 μ F	0.1 μ F	
	9.999mF	0.001mF	
	99.99mF	0.01mF	

*<99.99nF Not specified

Function	Range	Resolution	Accuracy
Frequency (Electronic)	9.999Hz	0.001Hz	±(0.1% + 4 digits)
	99.99Hz	0.01Hz	
	999.9Hz	0.1Hz	
	9.999kHz	0.001kHz	
	99.99kHz	0.01kHz	
	999.9kHz	0.1kHz	
	9.999MHz	0.001MHz	

Sensitivity: 0.8V RMS min. at 20% to 80% duty cycle and <100kHz;
5Vrms min at 20% to 80% duty cycle and >100kHz.

Frequency (Electrical)	10.00-1KHz	0.01Hz	±0.5% reading
---------------------------	------------	--------	---------------

Sensitivity: ACmV Range(≥100mV),ACV Range(≥6% Range);
6000μA/600.0mA/10.00A Range(≥6% Range); 600.0μA/60.00mA/6.000A(≥60%Range).

Duty Cycle	0.1 to 99.9%	0.1%	±(1.2% + 2 digits)
------------	--------------	------	--------------------

Pulse width: 100μs -100ms; Frequency: 5Hz to 150kHz.


Temperature (Type-K)	-40 to1000°C	1°C	±(3.0% + 3°C/5°F digits)
	-40 to1832°F	1°F	(Probe accuracy not included)

Note: Accuracy specifications consist of two elements:

- (% reading) – This is the accuracy of the measurement circuit.
- (+ digits) – This is the accuracy of the analog to digital converter.

NOTE: Accuracy is stated at 18 to 28°C (65 to 83°F) and less than 75% RH.

6-2. General Specifications

Enclosure	Double Molded, Waterproof.
Shock (Drop Test)	6.5 feet (2 meters).
Diode Test	Test current of 0.9mA maximum, open circuit voltage approx 3.2V DC typical.
Continuity Check	Audible signal will sound if the resistance is less than 50 Ω (approx.), test current <0.35mA.
Input Impedance	>10M Ω VDC & >10M Ω VAC
AC Response	True RMS
ACV Bandwidth	45Hz to 1KHz
Crest Factor	≤ 3 at full scale up to 500V, decreasing linearly to ≤ 1.5 at 1000V.
Display	6,000 Counts backlit liquid crystal.
Overrange indication	"OL" is displayed.
Auto Power Off	15 minutes (Approximately) with disable feature.
Polarity	Automatic (No indication for positive); Minus (-) sign for negative.
Measurement Rate	2 times per second, nominal.
Low Battery Indication	"  " is displayed if battery voltage drops below operating voltage.
Battery	One 9 volt (NEDA 1604) battery.
Fuses	mA, μ A ranges; 0.8A/1000V ceramic fast blow A range; 10A/1000V ceramic fast blow.
Operating Temperature	5 to 40°C (41 to 104°F)
Storage Temperature	-20 to 60°C (-4 to 140°F)
Operating Humidity	Max 80% up to 31°C (87°F) decreasing linearly to 50% at 40°C (104°F).
Storage Humidity	<80%
Operating Altitude	2000 meters (7000 ft) maximum.
Safety	This meter is intended for origin of installation use and protected, against the users, by double insulation per EN61010-1 and IEC61010-1 2 nd Edition (2001) to Category IV 600V and Category III 1000V; Pollution Degree 2. The meter also meets UL 61010-1, 2 nd Edition (2004), CAN/CSA C22.2 No. 61010-1 2 nd Edition (2004), and UL 61010B-2-031, 1 st Edition (2003).

