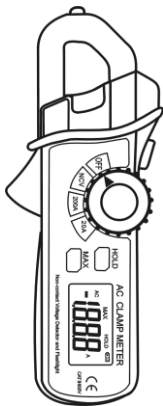




ZI-9941

Operating Instruction

200A AC Mini Clamp-on Meter



Features

- 3-1/2 digit (2000 count) LCD display
- High resolution to 10mA AC
- Built-in non-contact AC voltage detector plus flashlight
- MAX Hold and Data Hold
- Auto power off
- 0.7" (18mm) Jaw opening

Specifications

● General Specifications

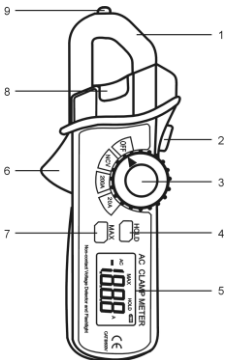
Display	3-1/2 (2000 count) Digit LCD
Polarity	Minus sign (-) indicates negative polarity
Overload indication	"OL" displayed on the LCD
Display rate	2 readings/second, nominal
Battery	Two 1.5V AAA batteries
Low Battery indication	"BATT" displayed on the LCD
Auto OFF	Approx.7 minutes
Operating conditions	32°F to 86°F (0°C to 30°C)90%RH; 86°F to 104°F (30°C to 40°C) 75%RH; 104°F to 122°F (40°C to 50°C) 45%RH
Storage conditions	- 14°F to 140°F (-30°C to 60°C); < 90% Relative Humidity
Altitude	Operate at less than 3000 meters
Weight	6.2 oz. (175g) including battery
Dimensions	164 x 65 x 32mm (6.5 x 2.6 x 1.3") (HxWxD)
Jaw opening	18mm (0.7")
Standards	IEC 1010 Category II 600V, CE

● Range Specifications

Function	Range	Resolution	Accuracy (of reading)
AC Current (50/60Hz)	20A	10mA	±(3.0% + 8 digits)
	200A	100mA	
Non-Contact AC Voltage	100VAC to 600VAC 50/60Hz		

Meter Description

1. Current sense jaw
2. Flashlight button
3. Rotary function switch
4. Data HOLD key
5. LCD display
6. Clamp trigger
7. MAX HOLD key
8. Non-contact AC voltage indicator light
9. Non-contact AC voltage detector probe tip



Safety Information



Caution! Refer to the explanation in this Manual



Double Insulation

This meter has been designed to be safe in use, but the operator must use caution in its operation. The rules listed below should be carefully followed for safe operation.

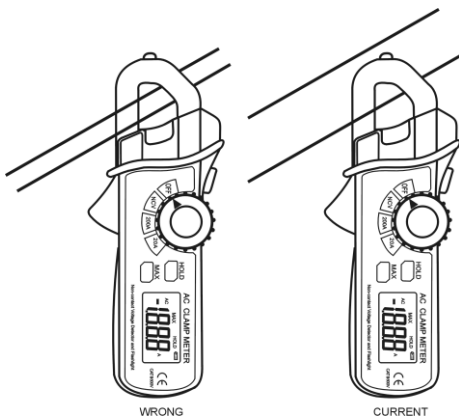
1. **NEVER** apply voltage or current to the meter that exceeds the specified maximum:
2. **USE EXTREME CAUTION** when working with voltages greater than 25VAC rms. These voltages are considered a shock hazard.
3. **NEVER** operate the meter unless the back cover and the battery/fuse door are in place and fastened securely

Input Limits	
Function	Maximum Input
AC Current	200A

Operation

AC Current Measurements

- 1) Set the Function switch to the ACA range.
- 2) Press the jaw trigger and clamp around, fully enclosing a single conductor. Do not allow a gap between the two halves of the jaw. Refer to the diagram at right for the correct way to enclose a single conductor.
- 3) Read the ACA value on the LCD.



Non-Contact AC Voltage Measurements

WARNING: Risk of Electrocution. Before use, always test the Voltage Detector on a known live circuit to verify proper operation

- 1) Touch the probe tip to the hot conductor or insert into the hot side of the electrical outlet.
- 2) If AC voltage is present, the detector light will illuminate.

NOTE: The conductors in electrical cord sets are often twisted. For best results, rub the probe tip along a length of the cord to assure placing the tip in close proximity to the live conductor.

NOTE: The detector is designed with high sensitivity. Static electricity or other sources of energy may randomly trip the sensor. This is normal operation

Flashlight

Press and hold the top button to turn the flashlight on.
Release the button to turn the flashlight off.

Data Hold

To freeze the current reading on the LCD, press the “Hold Backlight” key. The word HOLD will appear on the LCD while the meter is in the Data Hold mode. To release the Data Hold function and return the meter to normal operation, press the “Hold Backlight” key again. The word HOLD will switch off.

MAX Hold

To hold the highest reading on the LCD, press the MAX hold button. The MAX hold button is located on the left side of the meter (bottom button). The meter reading will not change as readings change, rather it will only display the highest reading encountered since the MAX hold button was pressed. Press the MAX hold button again to return to normal operation.

Auto Power OFF

The auto off feature will turn the meter off after 7 minutes.

Battery Replacement

- 1) When the low battery symbol appears on the LCD the batteries must be replaced.
- 2) Power down and remove the rear battery compartment Phillips screw.
- 3) Lift off the battery compartment cover and replace the two 1.5V AAA cells.
- 4) Replace compartment cover and secure the screw.

www.zicotech.com