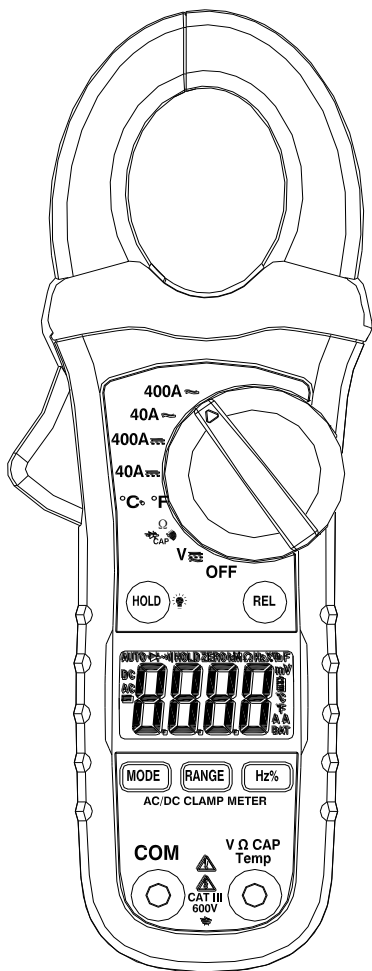


Zico **ZI-9983**

OPERATING INSTRUCTION

AC/DC CLAMP METER



Safety

International Safety Symbols



This symbol, adjacent to another symbol or terminal, indicates the user must refer to the manual for further information.



This symbol, adjacent to a terminal, indicates that, under normal use, hazardous voltages may be present



Double insulation

SAFETY NOTES

- Do not exceed the maximum allowable input range of any function
- Do not apply voltage to meter when resistance function is selected.
- Set the function switch OFF when the meter is not in use.

WARNINGS

- Set function switch to the appropriate position before measuring.
- When measuring volts do not switch to current/resistance modes.
- When changing ranges using the selector switch always disconnect the test leads from the circuit under test.
- Do not exceed the maximum rated input limits.

CAUTIONS

Improper use of this meter can cause damage, shock, injury or death. Read and understand this user manual before operating the meter.

Always remove the test leads before replacing the battery.

Inspect the condition of the test leads and the meter itself for any damage before operating the meter. Repair or replace any damage before use.

Use great care when making measurements if the voltages are greater than 25VAC rms or 35VDC. These voltages are considered a shock hazard.

Remove the battery if the meter is to be stored for long periods.

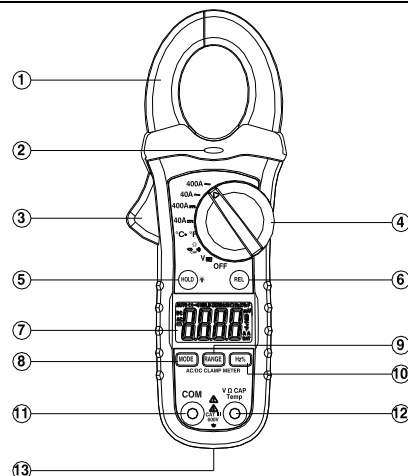
Always discharge capacitors and remove power from the device under test before performing Diode, Resistance or Continuity tests.

- Voltage checks on electrical outlets can be difficult and misleading because of the uncertainty of connection to the recessed electrical contacts. Other means should be used to ensure that the terminals are not "live".
- If the equipment is used in a manner not specified by the manufacturer, the protection provided by the equipment may be impaired.

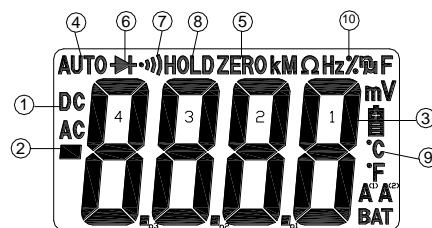
Input Limits	
Function	Maximum Input
A	400A DC/AC
V DC, V AC	600V DC/AC
Frequency, Resistance, Diode, Continuity , Capacitance Test	250V DC/AC
Temperature (°C/°F)	250V DC/ AC

Meter Description

1. Current clamp
2. Non-contact AC voltage indicator light
3. Clamp trigger
4. Rotary Function swith
5. Data Hold/ Back Light button
6. Relative button
7. LCD display
8. MODE select button
9. Range button
10. Hz% Hlod button
11. COM input jack
12. V Ω CAP TEMPHz jack
13. Battery Cover



1. **AC DC** AC (alternating current) and DC (direct current)
2. **—** Minus sign
3. **8.8.8.8** 4000 count (0 to 3999) measurement reading
4. **AUTO** AutoRange mode
5. **REL** Relative mode
6. **▶|** Diode test mode
7. **•)))** Audible Continuity
8. **HOLD** Data Hold mode
9. **°C, °F, μ, m, V, A, K, M, Ω**, Units of measure list
10. **Hz %** Frequency/duty cycle test mode



Specifications

Function	Range & Resolution	Accuracy (% of reading)
AC Current (50/60Hz)	40.00 AAC	± (2.5 % + 8 digits)
	400 .0AAC	± (2.8 % + 5 digits)
DC Current	40.00 ADC	± (2.5 % + 5 digits)
	400 .0ADC	± (2.8 % + 5 digits)
DC Voltage	400.0 mVDC	± (0.8% + 2 digits)
	4.000 VDC	± (1.5% + 2digits)
	40.00 VDC	
	400.0 VDC	
	600.0 VDC	± (2 % + 2 digits)
AC Voltage (50-400Hz)	400.0mVAC	± (1.5% + 30 digits)
	4.000 VAC	± (1.5% + 5 digits)
	40.00 VAC	
	400.0 VAC	
	600.0 VAC	± (2.0% + 5 digits)

Resistance	400.0 Ω	± (1.0% + 4 digits)
	4.000K Ω	± (1.5% + 2 digits)
	40.00K Ω	
	400.0K Ω	
	4.000M Ω	± (2.5% + 3 digits)
40.00M Ω	± (3.5% + 5 digits)	
Capacitance	40.00nF	±(4.0% reading + 20 digits)
	400.0nF	±(3% reading + 5 digits)
	4.000 μ F	
	40.00 μ F	
	100.0 μ F	±(4.0% reading + 10 digits)
Frequency	10-10kHz	±(1.5% reading + 2 digits)
	Sensitivity:100V(<50Hz);50V(50 to 400Hz);15V(401Hz to 10kHz)	
Temp (type-K) (probe accuracy not included)	-20.0 to 760.0°C	± (3%rdg+5°C)
	-4.0 to 1400.0°F	± (3%rdg+9°F)

Clamp size

Opening 1.2" (30mm) approx

Diode Test

Test current of 0.3mA typical; Open circuit voltage 1.5V DC typical.

Continuity Check

Threshold <150Ω; Test current < 0.5mA

Low Battery Indication

"" is displayed

Overrange Indication

"OL" is displayed

Measurements Rate

2 per second, nominal

Input Impedance

10MΩ (VDC and VAC)

Display

4000 counts LCD

AC Current

50-60Hz (AAC)

AC Voltage bandwidth

50-400Hz (VAC)

Operating Temperature

41 to 104°F (5 to 40°C)

Storage Temperature

-4 to 140°F (-20 to 60°C)

Operating Humidity

Max 80% up to 87°F (31°C) decreasing linearly to 50% at 104°F(40°C)

Storage Humidity

<80%

Operating Altitude

7000ft. (2000meters) maximum.

Over voltage

Category III 600V

Battery

One 9V Battery

Auto OFF

approx. 30 minutes

Dimensions/Weight

197x70x40mm/183g

Safety

For indoor use and in accordance with Overvoltage Category II, Pollution Degree 2. Category II includes local level, appliance, portable equipment, etc., with transient overvoltages less than Overvoltage Cat. III

Operation

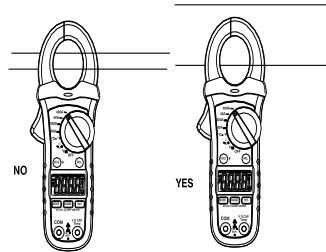
NOTICES: Read and understand all **warning** and **precaution** statements listed in the safety section of this operation manual prior to using this meter. Set the function select switch to the OFF position when the meter is not in use.

AC/DC Current Measurements

WARNING: Ensure that the test leads are disconnected from the meter before making current clamp measurements.

1. Set the Function switch to the **400ADC, 40ADC, 400AAC or 40AAC** range.
2. If the range of the measured is not known, select the higher range first then move to the lower range if necessary.
3. Press the trigger to open jaw. Fully enclose one conductor to be measured.

The clamp meter LCD will display the reading.



AC/DC Voltage Measurements

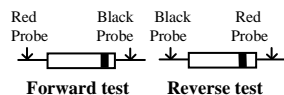
1. Insert the black test lead into the negative **COM** terminal and the red test lead into the positive **V** terminal.
2. Set the function switch to the **V** position.
3. Select AC or DC with the **MODE** button.
4. Connect the test leads in parallel to the circuit under test.
5. Read the voltage measurement on the LCD display.

Resistance Measurements

1. Insert the black test lead into the negative **COM** terminal and the red test lead into the positive terminal.
2. Set the function switch to the Ω **CAP** position.
3. Touch the test probe tips across the circuit or component under test. It is best to disconnect one side of the device under test so the rest of the circuit will not interfere with the resistance reading.
4. For Resistance tests, read the resistance on the LCD display.

Diode and Continuity Measurements

1. Insert the black test lead banana plug into the negative **COM** jack and the red test lead banana plug into the positive diode jack.
2. Turn the rotary switch to the Ω **CAP** position.
3. Press the **MODE** button until " \rightarrow " appears in the display.
4. Touch the test probes to the diode under test. Forward voltage will indicate 0.4V to 0.7V. Reverse voltage will indicate "**OL**". Shorted devices will indicate near 0mV and an open device will indicate "**OL**" in both polarities.



For Continuity tests, if the resistance is $< 150\Omega$, a tone will sound.

Capacitance Measurements

WARNING: To avoid electric shock, disconnect power to the unit under test and discharge all capacitors before taking any capacitance measurements. Remove the batteries and unplug the line cords.

1. Set the rotary function switch to the Ω **CAP** position.
2. Insert the black test lead banana plug into the negative (COM) jack. Insert the red test lead banana plug into the positive (V) jack.
3. Touch the test leads to the capacitor to be tested.
4. Read the capacitance value in the display

Frequency or % duty cycle measurements

1. Set the rotary function switch to the "VDC/AC, Hz" position.
2. Insert the black lead banana plug into the negative COM jack and the red test lead banana plug into the positive V jack.
3. Select Hz or % duty with the **Hz/%** button.
4. Touch the test probe tips to the circuit under test.
5. Read the frequency on the display.

Temperature Measurements

WARNING: To avoid electric shock, disconnect both test probes from any source of voltage before making a temperature measurement.

1. Set the function switch to $^{\circ}\text{C}$ $^{\circ}\text{F}$.
2. Insert the Temperature Probe into the negative (COM) and the V jacks, making sure to observe the correct polarity.
3. Touch the Temperature Probe head to the part whose temperature you wish to measure. Keep the probe touching the part under test until the reading stabilizes (about 30 seconds).
4. Read the temperature in the display. The digital reading will indicate the proper decimal point and value.

WARNING: To avoid electric shock, be sure the thermocouple has been removed before changing to another measurement function

Non-Contact AC Voltage Measurements

WARNING: Risk of Electrocution. Before use, always test the Voltage Detector on a known live circuit to verify proper operation

1. Touch the probe tip to the hot conductor or insert into the hot side of the electrical outlet.
2. If AC voltage is present, the detector light will illuminate.

NOTE: The conductors in electrical cord sets are often twisted. For best results, rub the probe tip along a length of the cord to assure placing the tip in close proximity to the live conductor.

NOTE: The detector is designed with high sensitivity. Static electricity or other sources of energy may randomly trip the sensor. This is normal operation

MODE BUTTON

To select DC/ACV,OHM/ Diode/Continuity/CAP,

Data Hold Button

To freeze the LCD meter reading, press the data hold button. The data hold button is located on the left side of the meter (top button). While data hold is active, the **HOLD** display icon appears on the LCD. Press the data hold button again to return to normal operation.

REL BUTTON

For DCA and Capacitance Zero & Offset adjustment.

RANGE BUTTON

When the meter is first turned on, it automatically goes into AutoRanging. This automatically selects the best range for the measurements being made and is generally the best mode for most measurements. For measurement situations requiring that a range be manually selected, perform the following:

1. Press the RANGE button. The "Auto Range" display indicator will turn off, The "Manual Range" display indicator will turn on
2. Press the RANGE button to step through the available ranges until you select the range you want.
 3. Press and hold the RANGE button for 2 seconds to exit the ManualRanging mode and return to AutoRanging.

Battery Replacement

1. Remove the one rear Phillips head screw
2. Open the battery compartment
3. Replace the Requires One 9V battery
4. Re-assemble the meter